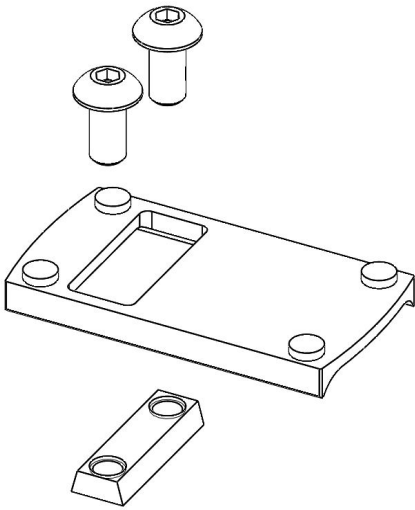




REAR SIGHT MOUNT INSTRUCTIONS TYPE 1

Exploded Diagram / Kit List



Remove rear sight as per manufactures instructions.

- 1 - Fit dove tail wedge
- 2 - Fit mount to slide
- 3 - Fit sight to mount
- 4 - Screw sight to mount with recommended torque settings

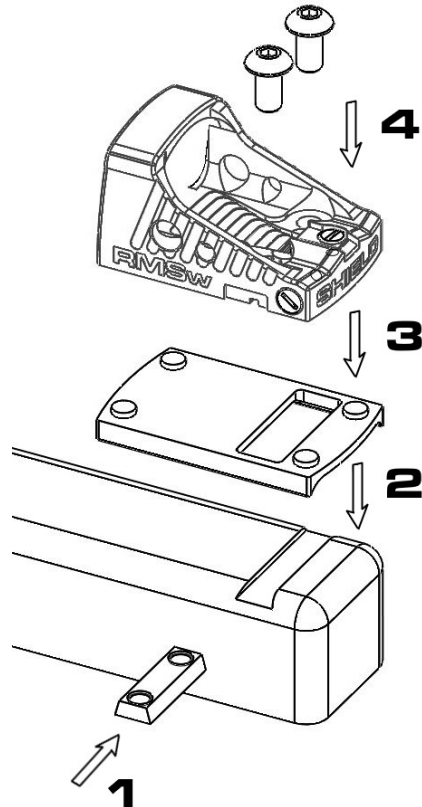
IMPORTANT!! PLEASE ENSURE ALL FIREARMS ARE CLEAR AND SAFE BEFORE CONTINUING

It is recommended that a medium strength thread lock (*such as Loctite 243 or 248*) is used on all fixing screws and sufficient drying time is allowed before zeroing the sight.

Recommended screw torques:

M3 Screw Torque - 0.8nm
m4 Screw Torque - 2nm

When multiple screw choices are available (*such as spacer mounts*) ensure correct length screw is used & has a minimum of 3mm engagement.

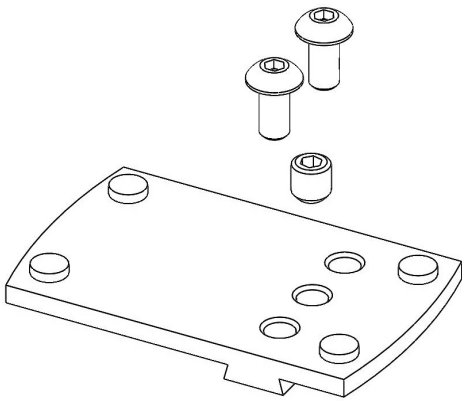


ENSURE THAT YOU KEEP TOOLS SAFE FOR FUTURE USE



REAR SIGHT MOUNT INSTRUCTIONS TYPE2

Exploded Diagram / Kit List



Remove rear sight as per manufactures instructions.

- 1 - Fit mount to slide
- 2 - Secure mount with set screw
- 3 - Fit sight to mount
- 4 - Screw sight to mount with recommended torque settings

IMPORTANT!!

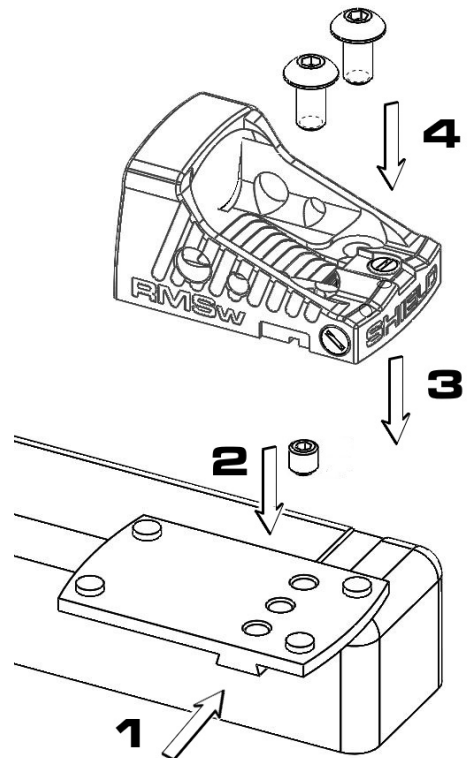
PLEASE ENSURE ALL FIREARMS ARE CLEAR AND SAFE BEFORE CONTINUING

It is recommended that a medium strength thread lock (*such as Loctite 243 or 248*) is used on all fixing screws and sufficient drying time is allowed before zeroing the sight.

Recommended screw torques:

M3 Screw Torque - 0.8nm
m4 Screw Torque - 2nm

When multiple screw choices are available (*such as spacer mounts*) ensure correct length screw is used & has a minimum of 3mm engagement.



ENSURE THAT YOU KEEP TOOLS SAFE FOR FUTURE USE