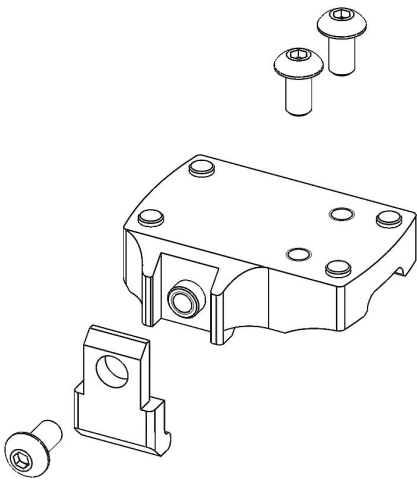




MOUNT INSTRUCTIONS FOR HK MP5 Mount

Exploded Diagram / Kit List



Remove slide plate as per manufactures instructions.

1 - Rotate the mount into position on top of the Mp5.

2 - Attach the grip plate and screw in place using recommended torque settings.

3 - Sit sight on top of the mount.

4- Screw the sight to the mount using the recommended torque settings.

IMPORTANT!! PLEASE ENSURE ALL FIREARMS ARE CLEAR AND SAFE BEFORE CONTINUING

It is recommended that a medium strength thread lock (*such as Loctite 243 or 248*) is used on all fixing screws and sufficient drying time is allowed before zeroing the sight.

Recommended screw torques:

M3 Screw Torque - 0.8nm

m4 Screw Torque - 2nm

When multiple screw choices are available (*such as spacer mounts*) ensure correct length screw is used & has a minimum of 3mm engagement.

