



## DOVE TAIL MOUNT

### IMPORTANT!!

PLEASE ENSURE ALL FIREARMS ARE CLEAR AND SAFE BEFORE CONTINUING

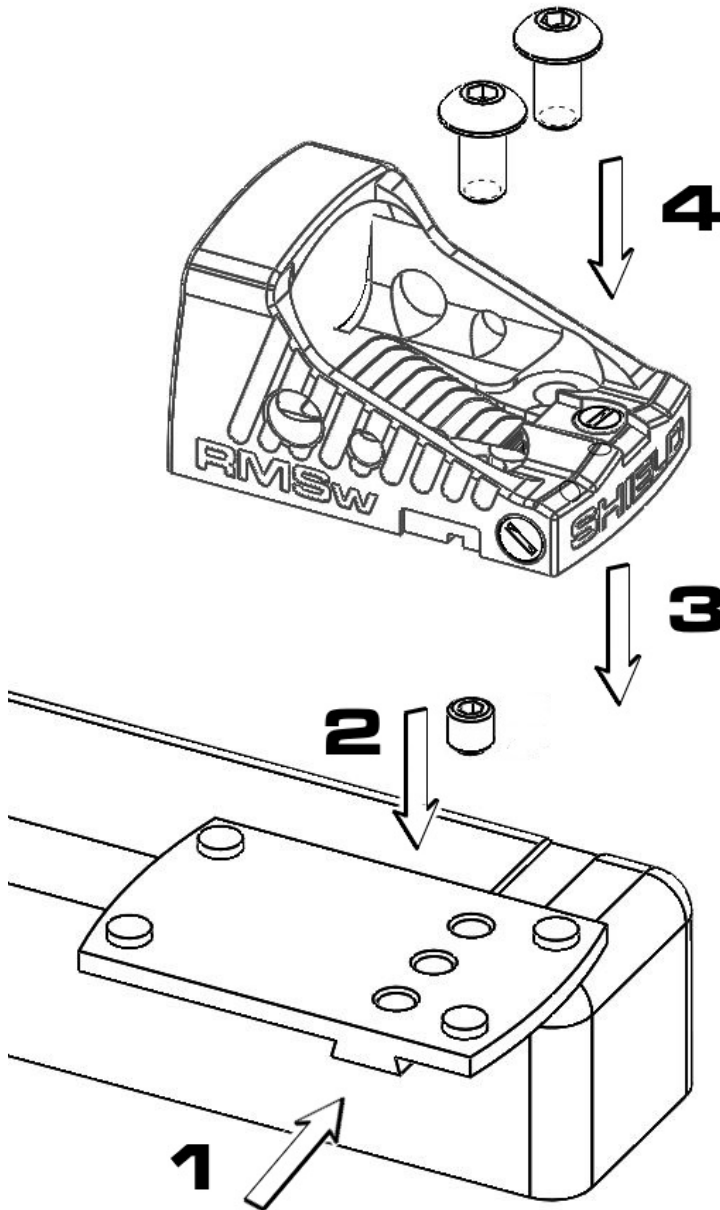
It is recommended that a small dab of medium strength thread lock (such as Loctite 243 or 248) is used on all fixing screws and sufficient drying time is allowed before zeroing the sight. For removal of screws please refer to the threadlocker manufactures advice.

#### Recommended screw torques:

M3 Screw Torque - 0.8nm

M4 Screw Torque - 2nm

When multiple screw choices are available (such as spacer mounts) ensure correct length screw is used.



ENSURE THAT YOU KEEP TOOLS SAFE FOR FUTURE USE